

EURO 6c

ISUZU



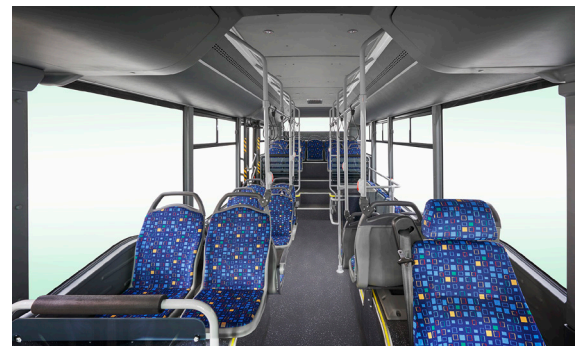
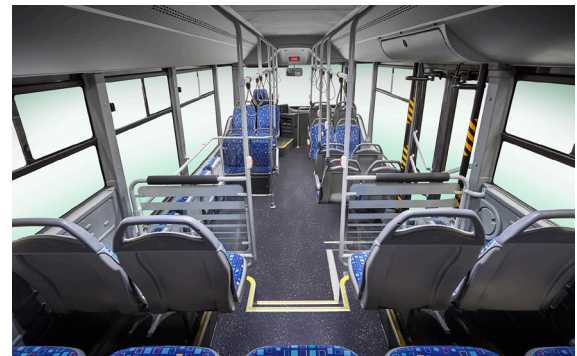
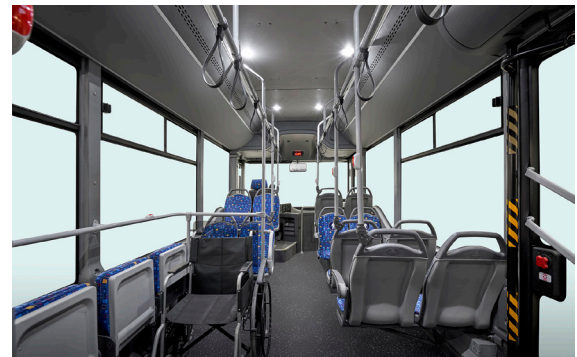
2017
Good Design Award

NOVOcITI LiFe





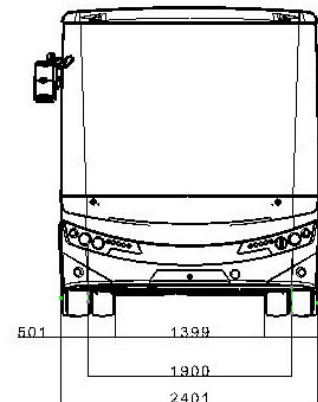
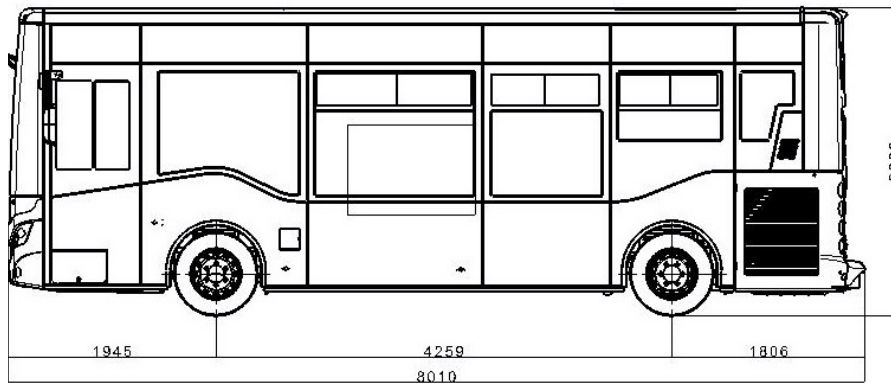
TECHNICAL SPECIFICATIONS	NOVOCITI LIFE
Dimensions (mm)	
Maximum Length	8010 mm
Maximum Width	2435
Maximum Height	2887 (w/o AC) 3184 (w AC)
Wheelbase	4259
Front Overhang	1945
Rear Overhang	1806
Inner Height	2475
Weights (kg)	
Gross Vehicle Weight	10.755
Front Axle Capacity	4.255
Rear Axle Capacity	6.500
Engine	
Model	FPT NEF4 (Rear)
Type	Electronic Common Rail, Turbo Diesel Intercooler
Number of cylinders	4
Engine volume	4500
Maximum power (kW (HP) /rpm)	137 (186) @ 2500 rpm
Maximum torque (Nm/rpm (Kgm/rpm)	680 Nm @ 1400 rpm
Exhaust Gas Emission Class	Euro VI (Stage C)
Transmission	
Model	A/T: ALLISON 2100 (S), M/T: ZF 6S 1010 BO (O)
Steering System	Hydraulic
Tyres	215/75 R17,5
Suspensions	
Front	Air Suspension
Rear	Air Suspension
Auto Kneeling Control	S
Kneeling System (ECAS & ELC)	S
Brake System	
Front / Rear	Disc / Disc
System	Full Air Brake System with ABS, Dual Circuit, Auto-adjusted
Parking Brake	Air Actuated, Operating on Rear Axle
Auxiliary Brake	Exhaust Brake, Bus Stop Brake
Fuel Tank	
Fuel Tank Capacity (lt)	130
Diesel Exhaust Fluid Tank (lt)	30
Electrical System	
Nominal Voltage	24V
Battery	24V (2X12V) - 125 Ah
Passenger Capacity*	
	21(Seated) + 39(Standing) = 60 21(Seated) + 28 (Standing) + 4 (Folding Seats) = 53 21(Seated) + 31 (Standing) + 1 (Wheelchair) = 53



EQUIPMENTS	
Heating and Ventilation	
Pre-heater	O
Air-blowing Type Heater (Front)	S
Equipment For Tire Inflation	S
Air Conditioner	
Digital Air Conditioner	S (27,5 kW)
A/C Dashboard Unit For Driver	S
Tropical AC	O
Safety & Driving Comfort	
Speed Limitor	S
Tachograph	O
ABS	S
ASR	S
ESC	O
Bus Stop Brake	S
Interior Camera	Front & Rear
Exterior Camera	3 units (Sound recording Cams are Optional)
DVR Preperation	S
DVR Unit	O
Parking Sensor	O
Roof Ventilation Hatch	S
Fog Lamps (Front)	O
Day Time Running Lamps	S (LED)
Reverse Gear Warning Beeper	S
Fire Extinguisher System	O
Fire Sensor And Warning System In Engine Compartment	S
Fire Extinguisher	O
Exterior	
Body Type	Monocoque
Metallic Colour	O
Passenger Window	Single Piece, Tinted
Single Glazed	S
Double Glazed	O
Sliding Windows	S
Rim caps	O
Doors	
Front	Single Wing, Pneumatic, Inward Swing
Rear	Double Wings, Pneumatic, Outward Swing, Auto-locking System Over 5 km/h Speed (O)
Remote Control	S
Wheelchair / Strollers Ramp	S (With sensor)

Interior	
Driver Seat	
Driver's Seat	Ergonomic, Air Operated, Adjustable
Driver Cabin	O
USB Charger On Dashboard	S
Overhead Rack For Driver	O
Lamp For Driver Seat	S
Driver's Window	Single Glazed with Heater
Front Door Window	Double Glazed
Heated Windshield	O
Windshield Blind	S
Heated Side Mirrors	O
Close-proximity Exterior Mirror (Right)	S
Ticket Validator Unit Harness Preperation and Support	S
Passenger Compartment	
Passenger Seat Material	Pastic / Cloth
USB Charger For Passangers	O
Ceiling Material	Plastic
Side Wall Lining Material	ABS
Floor Covering	Vynil
Internet Connection Preperation	S
Internet Router	Opt
Lightening & Signalization	
Interior Lighting (Ceiling)	6 Units
Stop Buttons & Signboard	S
Destination Line Indicator	Fixed (S); Rounding (O)
Digital Line Board	S
Audio & Visual	
Radio & CD Player & MP3	S
Monitor / LCD	O
DVD	O
Digital Clock	S

S: Standard Equipment
O: Optional
* Different seating variations are available



NOVOcITI LIFE



April 2018